



INTERNATIONAL REGISTRATION CERTIFICATE

The international Bureau of the World Intellectual Property Organization (WIPO) hereby certifies that the particulars given below correspond to the recording made in the International Register of Industrial Designs, at the date of the international registration, under the Hague Agreement Concerning the International Registration of Industrial Designs.

Registration number DM/233898

Date of the international registration 5 December 2023

Filing date 5 December 2023

Name and address of holder Mobili Fiver S.r.l.
Via O. Bottecchia 6
33087 Pasiano di Pordenone PN (Italy)

Entitlement (Nationality) Italy

Entitlement (Domicile) Italy

Entitlement (Industrial or commercial establishment) Italy

Entitlement (Habitual residence) European Union

Applicant's Contracting Party European Union

Name and address of the representative Matteo POZZATO
c/o Società Italiana Brevetti S.p.A. Stradone S. Fermo, 21
37121 Verona VR (Italy)

Name and address of creator of designs No(s) 1-3: Ronny GOBBO, c/o Mobili Fiver S.r.l. Via O. Bottecchia 6, 33087, Pasiano di Pordenone PN, Italy
No(s) 1-3: Ricardo RODRIGUEZ, c/o Mobili Fiver S.r.l. Via O. Bottecchia 6, 33087, Pasiano di Pordenone PN, Italy
No(s) 1-3: Federica BERTAGNO, c/o Mobili Fiver S.r.l. Via O. Bottecchia 6, 33087, Pasiano di Pordenone PN, Italy

Number of designs included in the international registration 3

Locarno Classification Cl. 06-04



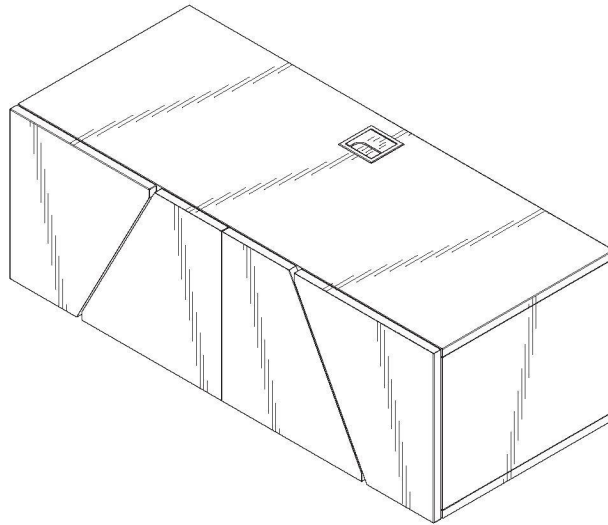
INTERNATIONAL REGISTRATION CERTIFICATE (continued) **DM/233898**

Indication of products No(s) 1-3: Furniture with compartments

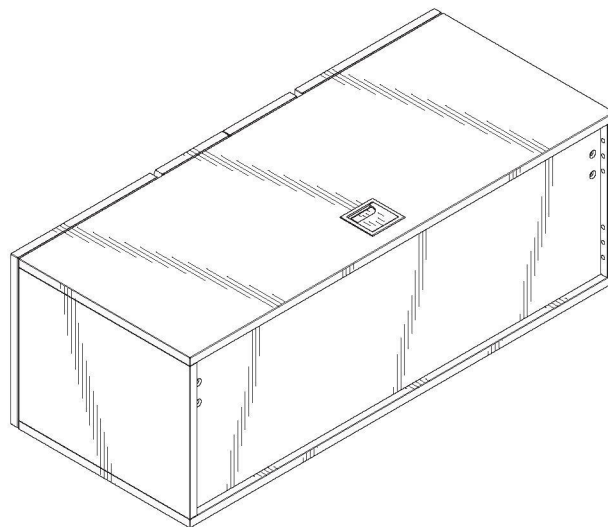
*Contracting Parties
designated under the 1999
Act* European Union, Switzerland, United Kingdom



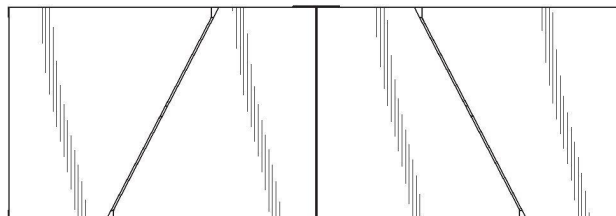
1.1



1.2



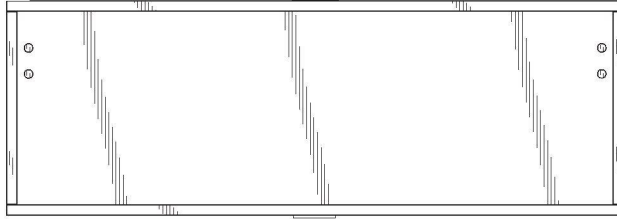
1.3



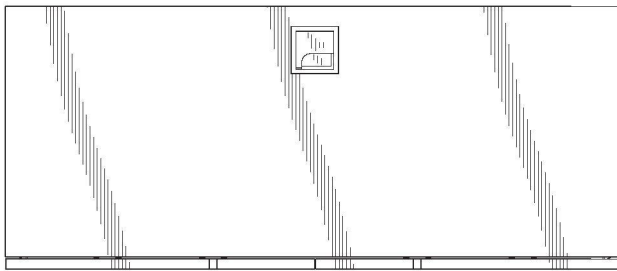


INTERNATIONAL REGISTRATION CERTIFICATE (continued) **DM/233898**

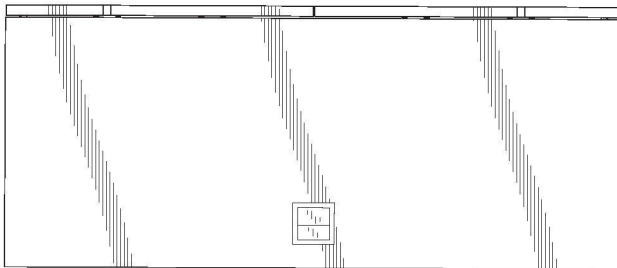
1.4



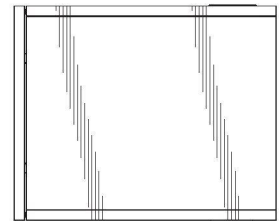
1.5



1.6



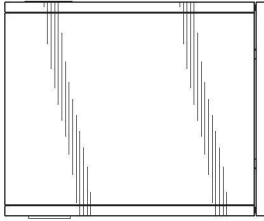
1.7



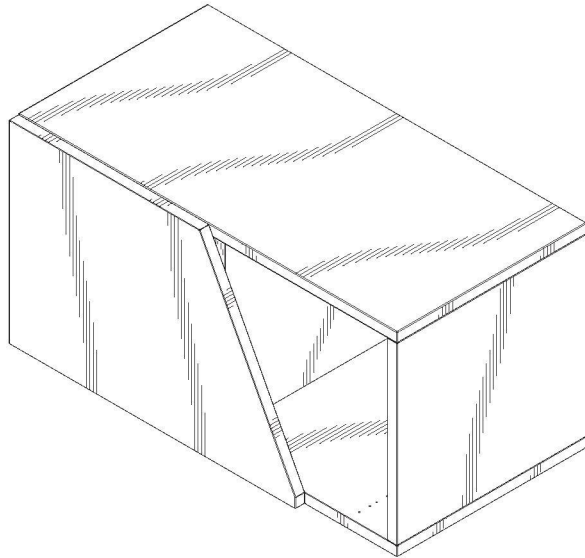


INTERNATIONAL REGISTRATION CERTIFICATE (continued) **DM/233898**

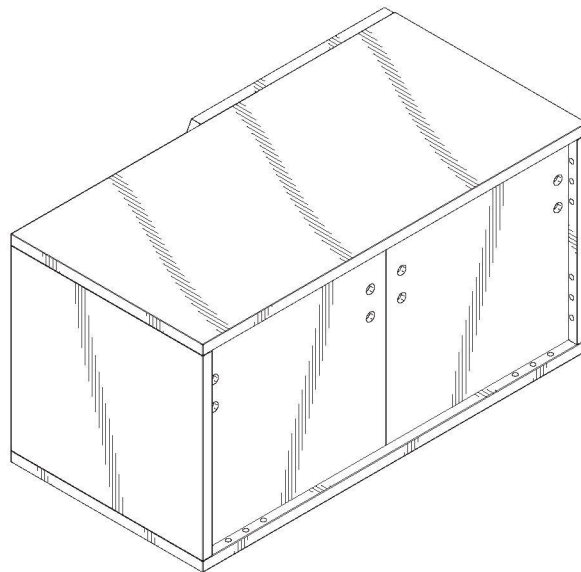
1.8



2.1

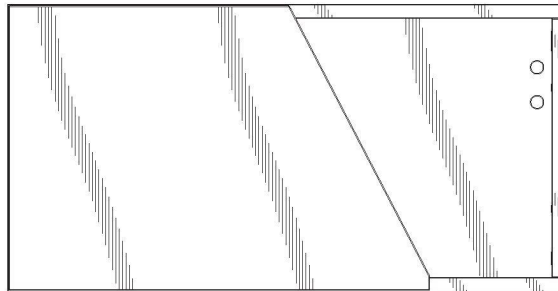


2.2

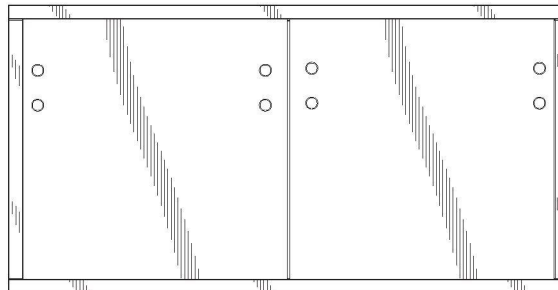




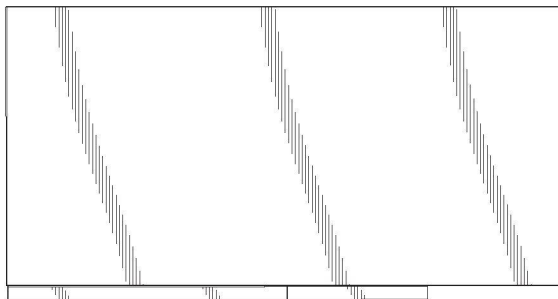
2.3



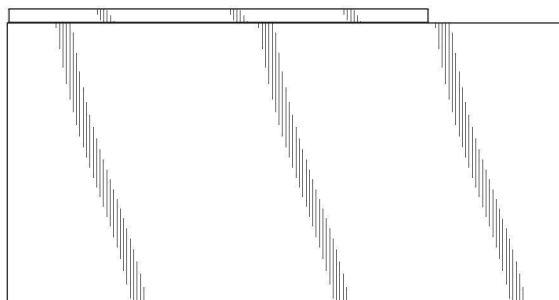
2.4



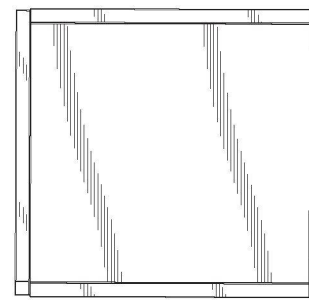
2.5



2.6

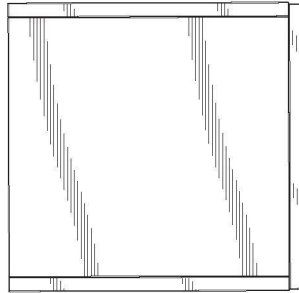


2.7

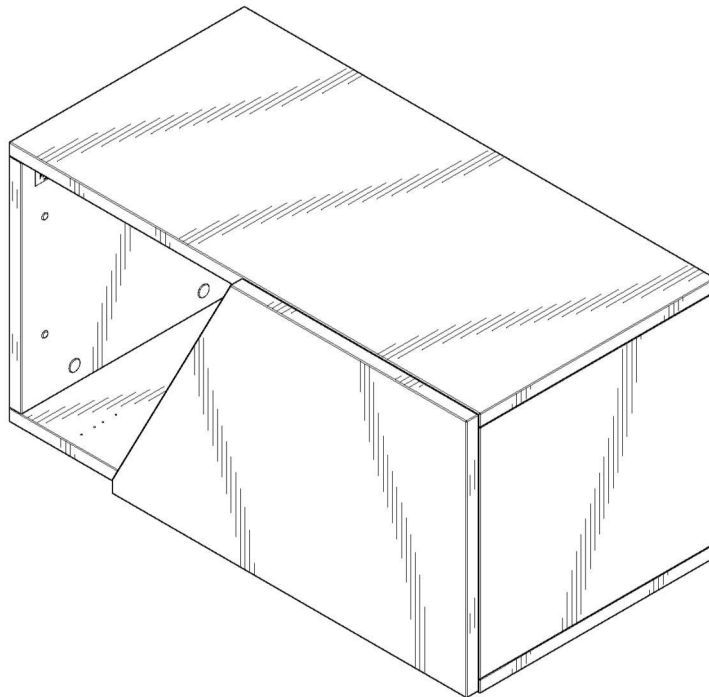




2.8

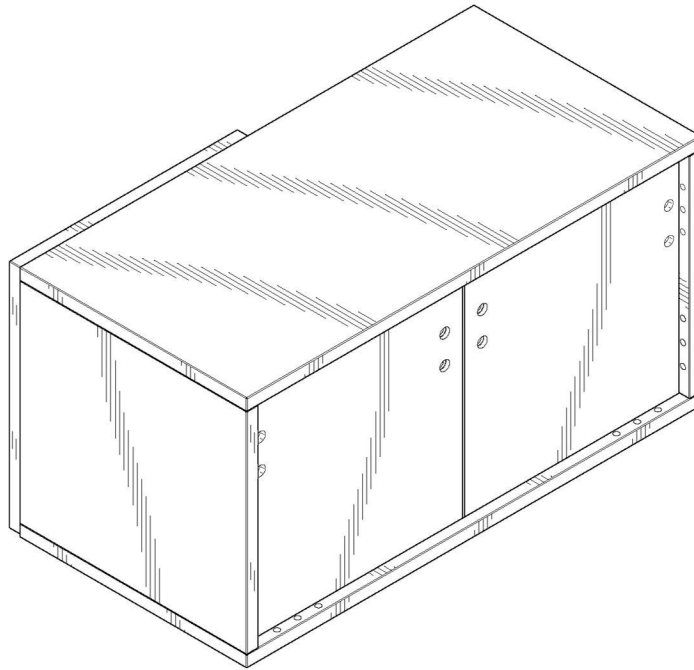


3.1

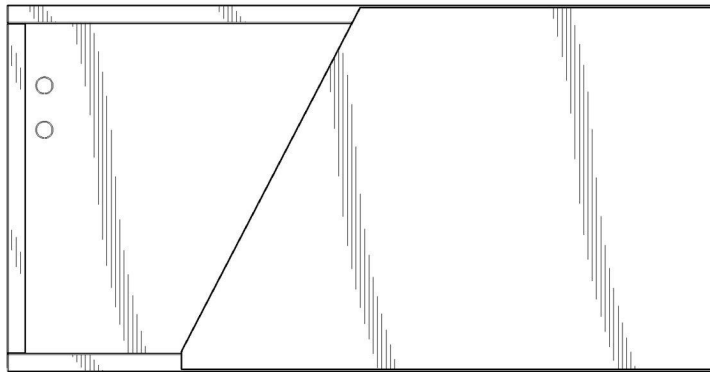




3.2

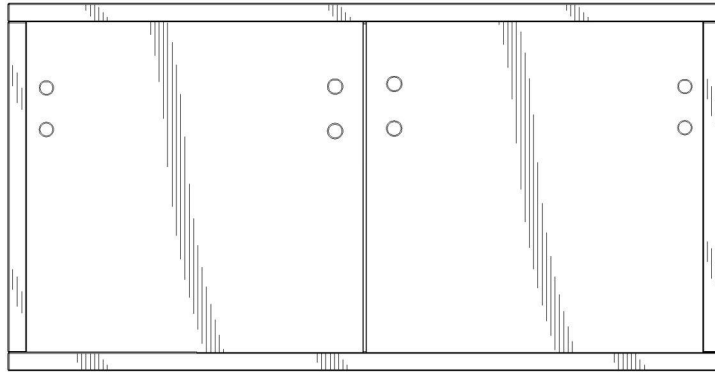


3.3

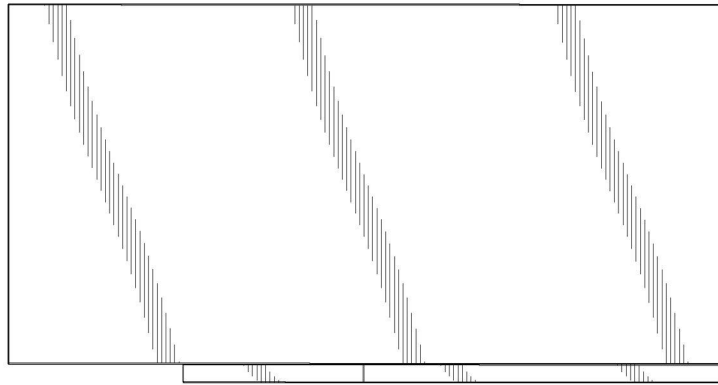




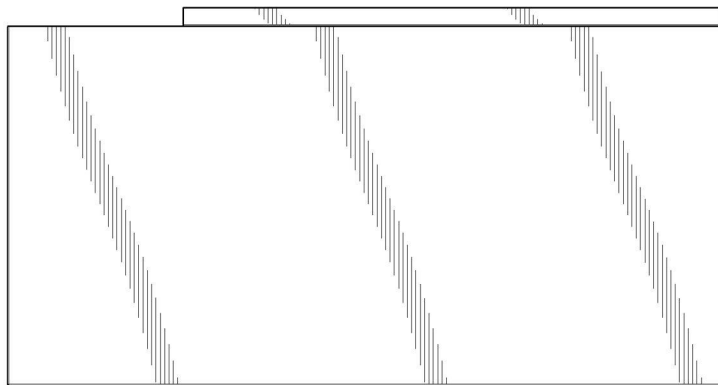
3.4



3.5



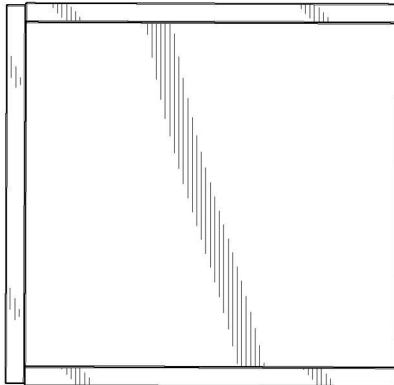
3.6



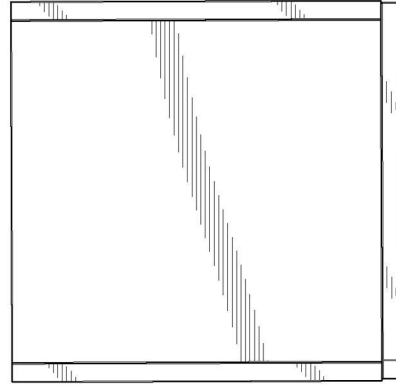


INTERNATIONAL REGISTRATION CERTIFICATE (continued) **DM/233898**

3.7



3.8



Quan-Ling SIM
Head, Operations Service
The Hague Registry
Brands and Designs Sector

December 18, 2023



PAYMENT BALANCE

International registration: DM/233898

User ref.: DW73E/RMP/rmn

December 18, 2023

Swiss Francs

International registration basic fee (IB)	397.00
International registration fee for additional designs (IB)	38.00
Standard designation fee 1 (GB)	42.00
Standard designation fee 2 (CH)	60.00
Standard designation fee for additional designs 1 (GB)	4.00
Standard designation fee for additional designs 2 (CH)	40.00
Individual designation fee (EM)	201.00
Publication of reproductions (IB)	408.00
Total due:	1,190.00
Payment received on 5 December 2023	1,190.00